

RECONISENSE

Video Motion Detection (VMD) Server



AXIAL
Technologies
A Division of PLE-Communications

Powered by AVT234[®] Software

Reconisense VMD Features

- ⊕ AVT234[®] Video Motion Detection Software Engine
- ⊕ Up to 99% probability of detection
- ⊕ Extremely low outdoor NAR/FAR
- ⊕ Immediate visual response- live video remotely, or emailed image
- ⊕ Securely connects to tactical battlefield network
- ⊕ Certified PL1-4 Intrusion Detection System (Air Force)
- ⊕ Has ITAR Commodity Jurisdiction
- ⊕ Easily integrated into existing security systems
- ⊕ Works with all brands of PTZ, Fixed, thermal, IR, Near IR cameras
- ⊕ Starts detecting less than 2 seconds after power on
- ⊕ AVT234-SE version meets NIST 800-53 Cybersecurity Risk Management standards
- ⊕ Horizon Line feature provides alert range and target track estimates

About AVT234[®] Software

The AVT234[®] software engine is at the core of the PLE/Axial product line. AVT234[®] Video Perimeter Surveillance and Intrusion Detection delivers superior outdoor performance in all weather conditions. No zones, camera calibration, or pre-populated databases are needed: AVT234[®] detects on the entire camera view the entire time. Choose from a number of products to fulfill your stationary, mobile or ruggedized perimeter surveillance needs. Low false and nuisance alarms and a high detection rate are promised by many. AVT234[®] delivers.

Critical Military Asset Protection (PL 1-4)



Securing critical military infrastructure and personnel 24 hours a day in all weather needs more than watchtowers and cameras reporting to Security Forces personnel on CCDE systems. The **Reconisense** Video Motion Detection (VMD) Server, a USAF Certified VMD Fence Sensor for PL1 through PL4 resources, is an intelligent upgrade for current installations of security monitoring and reporting systems where an unattended video detection function with very low false alarms will integrate easily and complement existing surveillance technology.

A mature, focused, and field-tested video detection technology, the **Reconisense** VMD Server aids the dispatch function by giving single or multiple operators at CCDE workstations the ability to rely on accurate alerts and confidently assess alarm information to decide if and whom to dispatch to the alert area.

For cybersecurity, the **Reconisense** VMD Server is available with AVT234-SE multi-factor authentication for logging in where a smart card (CAC, PIV) is used in place of passwords to gain access to the system and network.

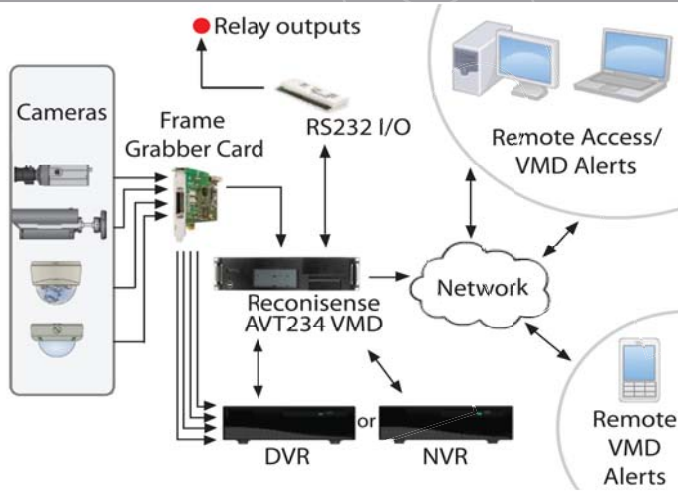
The AVT234[®] Horizon Line feature provides range and target estimates using proprietary calculations in place of need for range finders or GPS inputs.

The **Reconisense** VMD Server can be purchased for a new install or integrated with existing security systems and can integrate with analog or IP cameras, and has passed multiple USAF tests resulting in certification for PL1 through PL4 resources. The AVT234[®] is on the Air Force Approved Equipment List (AEL) and can be found under IDS as "PL&E Communications, AVT243[®] (VMD)".

Watch. Identify. Respond.

Additional Reconisense VMD Features

- Low false alarms on snow, rain, lightning, foliage, sun glints, low lighting
- US Air Force Certified PL 1-4 Intrusion Detection System
- Uses SEIWG-ICD-0101B VMD for XML Exchange
- Integrates with multiple annunciator display and NVR Systems

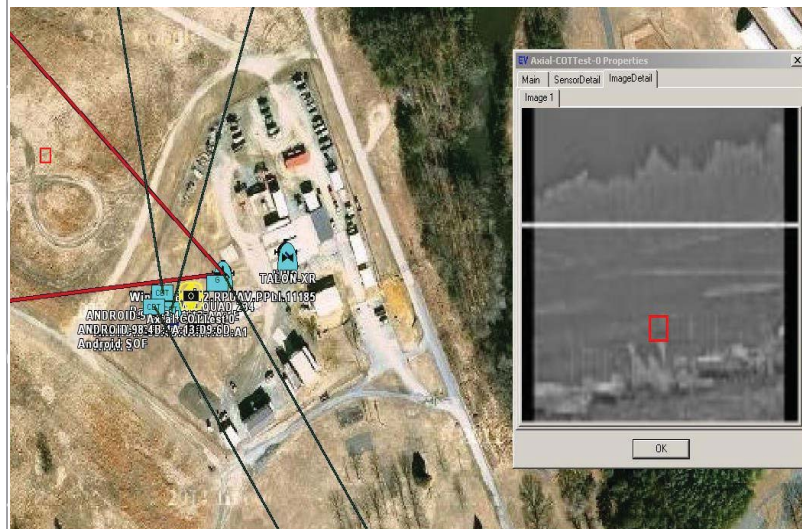


- Alarms can be sent via email, serial, relay and XML, and can be audible at location
- Up to eight cameras/imagers per AVT234[©] unit
- PTZ zooms in automatically on alarm
- Horizon Line feature provides alert range and target track estimates
- Remote access available over network via VNC and SSH
- Detects on the entire camera field-of-view, no zoning out or camera calibration required
- Works with all brands of fixed, PTZ, video, thermal, IR, Near IR, long-range and wide area cameras
- The AVT234[©] is on the Air Force Approved Equipment List (AEL) and can be found under IDS as "PL&E Communications, AVT243[©] (VMD)"



Server Specifications

Available Configurations	Up to 8 Camera feeds per AVT234 [©] AVT234 [©] or AVT234-SE (Secure Edition) With or without A-GAS Damage Prevention module All products can be customized for specific applications
OS	Linux
NIC	100/1000 Ethernet
Inputs/Outputs	3 x RS-232, 1 x VGA, 2 x RJ45, 4 x USB, 4-8 video ports
BNC Input (NTSC/PAL)	PCIe frame grabber 4 port video capture
Dimensions	mm: 482.6 x 431.8 x 88.8 inches: 19 x 17" x 3.5"
Weight	12.7kgs / 27.9lbs
Input Voltage	120 VAC
Cooling	Middle: 2 x 80 x 25mm fans Rear: 1 x 97mm blower
Tested Outdoor Temp	32°F (0° C) ~ 122°F (50° C)
Tested Humidity	Overheat and low voltage protection 5% ~ 95% non-condensing
Standards Met	US Air Force Certified PL 1-4 Intrusion Detection System Uses SEIWG-ICD-0101B VMD for XML Exchange AVT234-SE is Certified to meet NIST 800-53 Cybersecurity Risk Management Standards Meets NERC/CIP 006-5 Physical and 006-3 Cybersecurity requirements
Integration	Integrates with multiple NVR and annunciator display systems Cameras: Fixed, PTZ, thermal, IR, Near IR, long-range, wide-area, any brand
Alarming	Can be sent via email, serial relay, and XML, and is audible at location
Accessibility	Locally, and remotely via VNC or SSH



AVT234[©] integrates securely to Falcon View mapping program via Cursor on Target (CoT) metadata schemas to provide target tracks via GIS.



SBA WOSB
Woman Owned Small Business

www.plegov.com
Ph: 877-609-0845
info@plegov.com
Rochester, New York USA